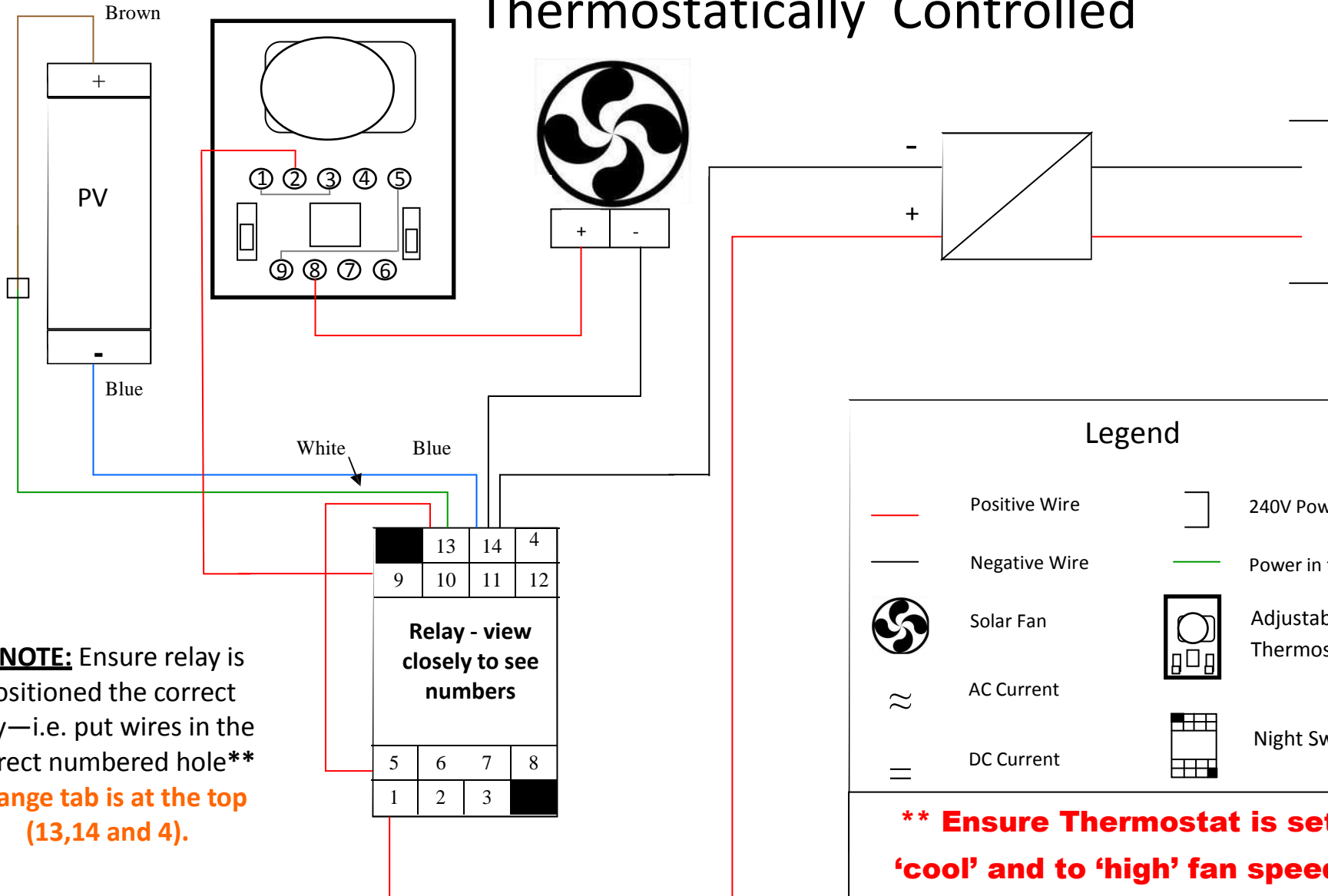


# Wiring diagram for Day/Night Operation of your Solar Whiz unit—Black Dinrail

## Thermostatically Controlled



**\*\*NOTE:** Ensure relay is positioned the correct way—i.e. put wires in the correct numbered hole\*\*

**Orange tab is at the top (13,14 and 4).**

	13	14	4
9	10	11	12
<b>Relay - view closely to see numbers</b>			
5	6	7	8
1	2	3	

### Legend

	Positive Wire		240V Power Point
	Negative Wire		Power in from PV
	Solar Fan		Adjustable Thermostat
	AC Current		Night Switch
	DC Current		

**\*\* Ensure Thermostat is set to 'cool' and to 'high' fan speed \*\***