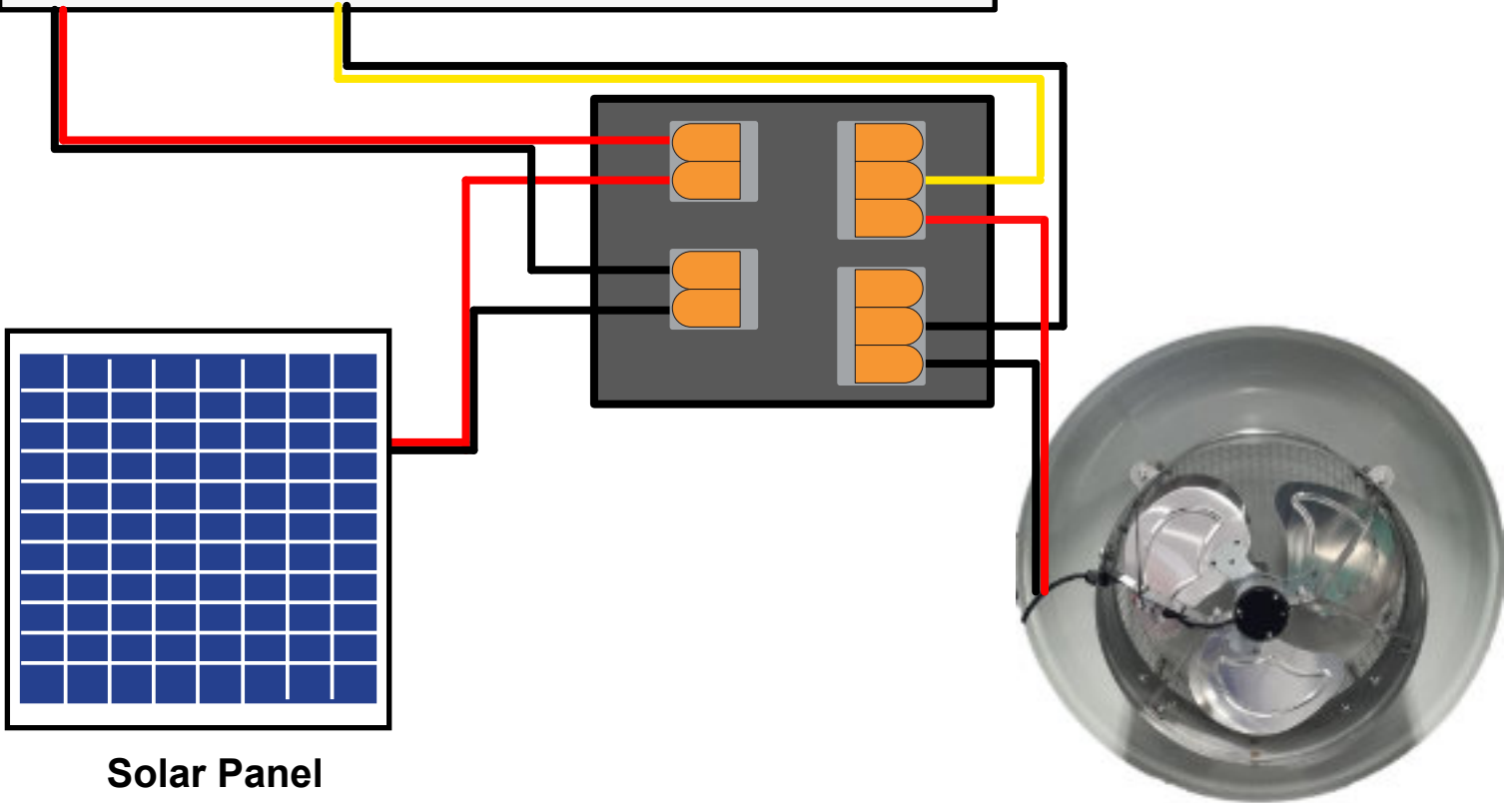
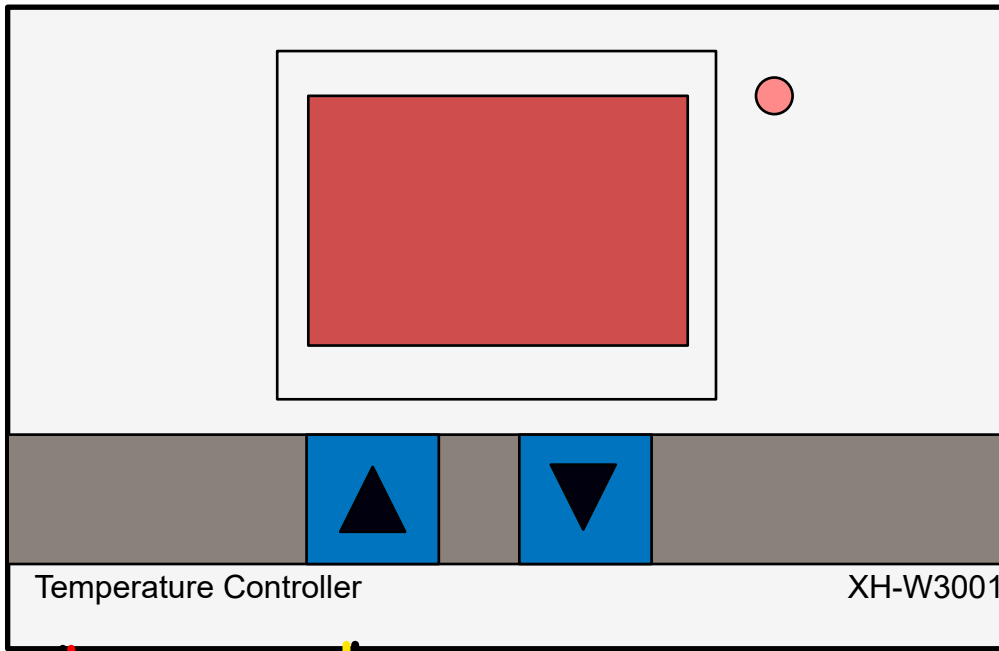
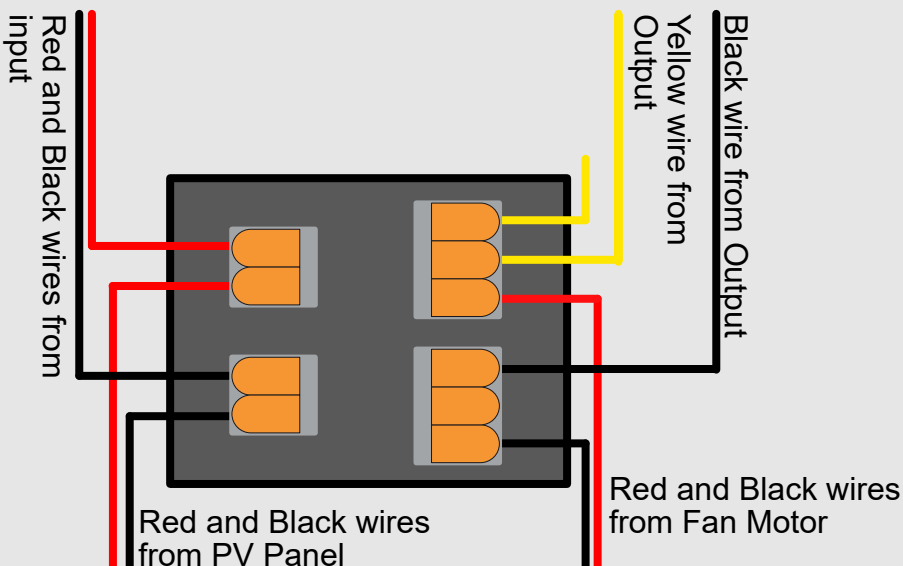


Digital Thermostat - Wiring Loop Diagram



Solar Panel



Digital Thermostat - Wiring Loop Diagram



Setting Start Temperature:

Press \triangle once, this will show the set start temperature.

Long press \triangle for 3 seconds, the set start temperature will start flashing. You can adjust the set temperature by pressing \triangle or ∇

NOTE: You must also set a stop temperature. The fan will not stop operating unless a stop temperature has been set.

Setting Stop Temperature:

Press ∇ once, this will show the set stop temperature.

Long press ∇ , the set stop temperature will start flashing. You can adjust the set stop temperature by pressing \triangle or ∇ .

If the start temperature is **lower** than the stop temperature the unit will be **heating**.

If the start temperature is **higher** than the stop temperature the unit will be **cooling**.

Temperature Correction

This function is only used when there is a difference between the test temperature and the real temperature.

Correction Data = Test Data + Correct Data.

Press and hold \triangle and ∇ together for 3 seconds. The screen should show 0.0. Use \triangle and ∇ to adjust.

Once adjusted, wait for 5 seconds. The screen will then show the real temperature.

Returning to Factory Settings

With electricity on, press and hold \triangle and ∇ together for 3 seconds. The screen should show 888, then automatically switch to the test temperature.