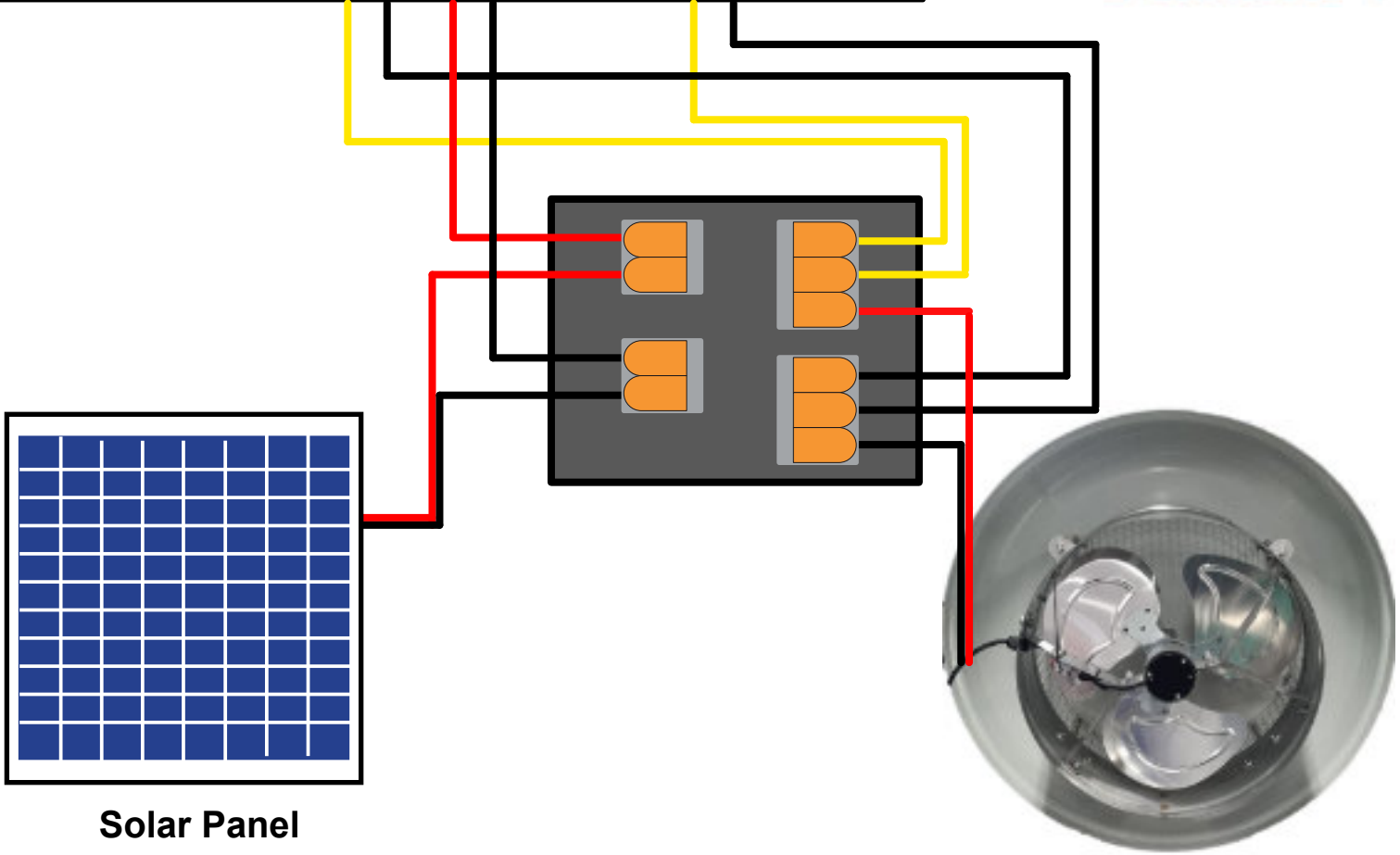


Thermostat and Hygrostat - Wiring Loop Diagram

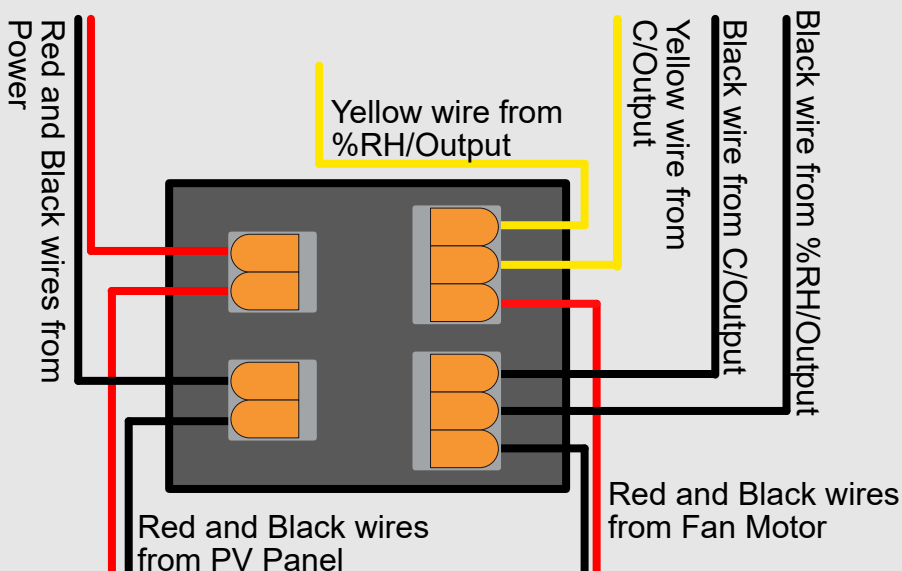


Temperature Humidity Controller
 Model: W1099
 Power:
 Temp. Zone: 0C - 100C
 Humidity Zone: 1% ~ 99%RH
 Output: Max 10A, Directly Output

Sensor %RH/Output Power C/Output



Solar Panel



Thermostat and Hygrostat - Wiring Loop Dia-



Setting Start Temperature:

Press \triangle once, this will show the set start temperature.

Long press \triangle for 3 seconds, the set start temperature will start flashing. You can adjust the set temperature by pressing \triangle or ∇

NOTE: You must also set a stop temperature. The fan will not stop operating unless a stop temperature has been set.

Setting Stop Temperature:

Press ∇ once, this will show the set stop temperature.

Long press ∇ , the set stop temperature will start flashing. You can adjust the set stop temperature by pressing \triangle or ∇ .

If the start temperature is **lower** than the stop temperature the unit will be **heating**.

If the start temperature is **higher** than the stop temperature the unit will be **cooling**.

Setting Start Humidity

Press \triangle once, this will show the set start humidity.

Long press \triangle , the set start humidity will start flashing. You can adjust the set stop temperature by pressing \triangle or ∇ .

Setting Stop Humidity

Press ∇ once, this will show the set start humidity.

Long press ∇ , the set start humidity will start flashing. You can adjust the set stop temperature by pressing \triangle or ∇ .

If the start humidity is **lower** than the stop humidity the unit will **increase humidity**.

If the start humidity is **higher** than the stop temperature the unit will be **decrease humidity**.

Temperature/Humidity Correction

This function is only used when there is a difference between the test temperature/humidity and the real temperature/humidity.

Correction Data = Test Data + Correct Data.

Press and hold \triangle and ∇ together for 3 seconds. The screen should show 0.0. Use \triangle and ∇ to adjust.

Once adjusted, wait for 5 seconds. The screen will then show the real temperature.

Returning to Factory Settings

With electricity on, press and hold \triangle and ∇ together for 3 seconds. The screen should show 888, then automatically switch to the test temperature.